

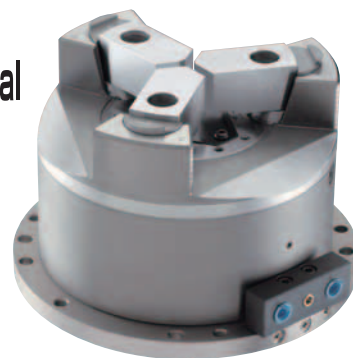


WORK GRIPPER

Pull Lock Work Gripper PLS series

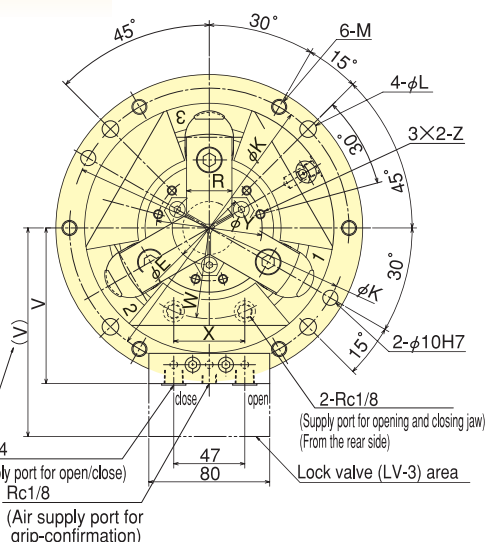
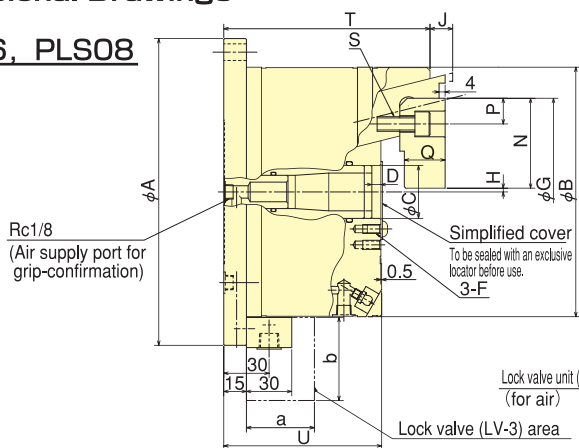
Pull Lock for steady gripping
Stable cutting is guaranteed through the high precision and exceptional gripping performance. Can be used as alternative to a fixture

- Stable cutting is performed by high precision and high gripping force
 - Perfect for CNC machining applications, thanks to component detection feature
 - Multiplate system also accommodates PLS Series gripper, allowing up to six grippers per station
 - It's compact design, featuring an inbuilt cylinder allows for more space in the machining envelope
- *CE correspondence

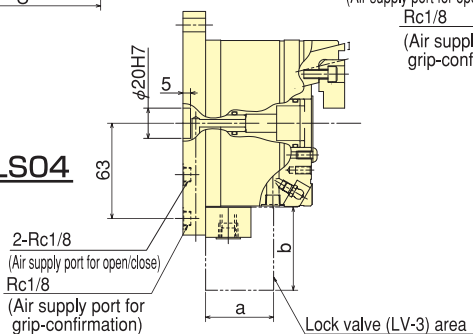


Dimensional Drawings

PLS06, PLS08



PLS04



Dimensions *The dimensions of a/b marked are the size of LV-3(Lock-valve).

Dimensions Model	A (h7)	B (+0.0/-0.1)	C (+0.01/0)	D min.	E	F	G (H6)	H max.	H min.	J max.	J min.	K (±0.2)	L	M	N
PLS04	148	110.1	32	4.5	42	M5 Depth 10	84	2.25	0.75	7	1	130	9	M 8	40.5
PLS06	203	165.1	35	6.0	49	M6 Depth 12	124	3.75	1.25	15	5	185	11	M10	59.5
PLS08	248	210.1	55	6.0	71	M6 Depth 12	154	3.75	1.25	17	7	230	11	M10	74.5

Dimensions Model	P	Q	R	S	T	U	V	(V)	W	X	Y	Z	a	b
PLS04	9.5	14	20	M 6	103	85.5	75.5	110.5	34	33	62	M5 Depth 10	45	55
PLS06	17	27	30	M10	136.5	104.5	103	138	60	47	70	M6 Depth 12	45	55
PLS08	20.5	31	35	M12	155.5	118.5	125.5	160.5	80	47	95	M6 Depth 12	45	55

Specifications *Clamping force varies in clamping state for jaws and workpiece. *Air Consumption = Under Pressure 0.6MPa Plunger Stroke per 10mm

Specifications Model	Plunger Stroke mm	Jaw Stroke (diameter) mm	Gripping Force kN (kgf)				Max. allowable pressure MPa (kgf/cm²)		Min. allowable pressure MPa (kgf/cm²)	Gripping range mm		Net Weight with Soft top jaws kg	Air Consumption (N ℓ)		
			Pneumatic at 0.6MPa (6kgf/cm²)		Hydraulic at 1.3MPa (13kgf/cm²)		Pneumatic	Hydraulic		Max.	Min.				
			Use of soft jaw	Use of hardened jaw	Use of soft jaw	Use of hardened jaw									
PLS04	6	3	6.7(683)	7.4(754)	16.0(1631)	17.4(1774)	0.7 (7.0)	1.3 (13.0)	0.2 (2.0)	φ60	φ4	7.4	0.22		
PLS06	10	5	18.5(1886)	22.0(2243)	40.0(4078)	45.0(4588)				φ100	φ7			18.0	0.54
PLS08	10	5	37.0(3772)	40.0(4078)	80.0(8157)	84.0(8565)				φ130	φ7				